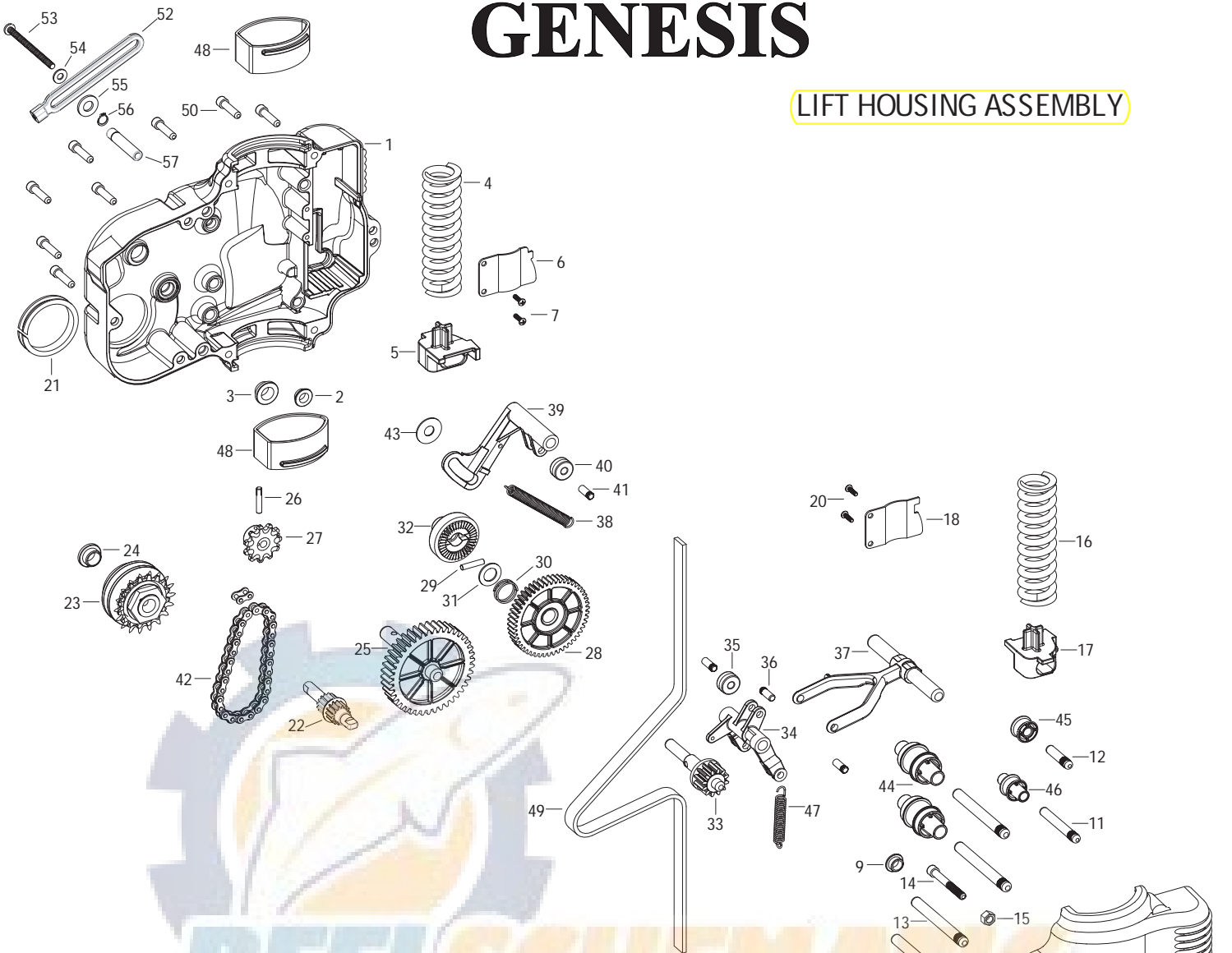


GENESIS

LIFT HOUSING ASSEMBLY



■ 2771851 LIFT HOUSING, LEFT ASSEMBLY

- *1 LIFT HOUSING, LEFT
- *2 BUSHING-HAT 3/8" SHAFT BRO
- *3 BUSHING-HAT 1/2" SHAFT BRO
- *4 SPRING, BREAKAWAY, CHRM SIL
- *5 REST-SPRING, LH, LIFT HOUSING
- *6 COVER-SPRING, LH, LFT HOUSING
- *7 SCREW-#8-32 X 3/8 TRI-LOBE [2.EA]

■ 2771853 LIFT HOUSING, RIGHT ASSEMBLY

- *8 LIFT HOUSING, RIGHT
- *9 BUSHING-HAT 3/8" SHAFT BRO
- *10 BUSHING-HAT 1/2" SHAFT BRO [2.EA]
- *11 SHAFT-ROLLER, LONG, SS 2.
- *12 SHAFT-ROLLER, SHORT, SS, 1
- *13 PIN-IDLER PULLEY, BELT SS [4.EA]
- *14 SCREW-1/4-20 X 2" SCKT HD
- *15 NUT-HEX 1/4-20 SS
- *16 SPRING, BREAKAWAY, CHRM SIL
- *17 REST-SPRING, RH, LIFT HOUSIN
- *18 COVER-SPRING, RH, LFT HOUSIN
- *20 SCREW-#8-32 X 3/8 TRI-LOBE [2.EA]

21 2220010 BEARING-NYLINER

22 2992310 SHAFT/GEAR ASSEMBLY, INPUT

■ 2772201 SLIP CLUTCH ASSEMBLY

- *23 SLIP CLUTCH
- *24 BUSHING-HAT 1/2" SHAFT BRO

25 2992242 GEAR/SHAFT ASSY 226-2602/2

26 2222620 PIN-DRIV LOK 3/16 X 1 SS

27 2222330 SPROCKET (11 TOOTH) SS

28 2222202 GEAR 2 (50 TOOTH)

29 2222622 PIN 3/16" X 7/8" SS

30 2222704 SPRING-CLUTCH SS OD .845

31 2221708 WASHER-FLAT OD .875 ID .5

32 2222210 CLUTCH-GEAR 2

33 2992240 SHAFT/GEAR ASSEMBLY

■ 2777100 CAM ASSEMBLY, LOWER

- *34 CAM-LOWER
- *35 ROLLER-BELT, TUBE
- *36 PIN-ROLLER, CAM SS [3.EA]
- *37 LINK-CAM/LATCH PIN ASSEMBLY, S

*38 2222700 SPRING-CAM, LOWER OD .375

■ 2777106 CAM ASSEMBLY, UPPER, SS

- *39 CAM-UPPER
- *40 ROLLER-BELT, TUBE
- *41 PIN-ROLLER, CAM SS

42 2220800 CHAIN W/LNK #35-28 PTCH, SS

43 2221706 WASHER-THRUST, SS PASSIVAT

44 2222306 PULLEY-IDLER, BELT, ACETAL [2.EA]

45 2222320 ROLLER-SHAFT, SHORT, ACETAL

46 2222322 ROLLER-SHAFT, LONG, ACETAL,

47 2222712 SPRING-LATCH RETURN SS

48 2220000 BEARING-TUBE, UPPER [2.EA]

49 2770812 BELT-LIFT (CUT FOR 52")

2770811 BELT-LIFT (CUT FOR 45")

2770813 BELT-LIFT (CUT FOR 60")

50 2223400 SCREW-1/4-20 X 1" SKT HD SS [8.EA]

51 2227302 BUSHING- DRV HSG/ MTR MT 3/8

■ 2991850 LIFT HOUSING W/BELT COMPLETE 45"

2991860 LIFT HOUSING W/BELT COMPLETE 52"

2991885 LIFT HOUSING W/BELT COMPLETE 60"

52 2223615 SLIDE LINK
2882920 DAMPENER HARDWARE

- *53 SCREW 1/4-20 X 3.50
- *54 WASHER 1/4 SAE FLAT
- *55 WASHER 7/16 FLAT
- *56 RETAINING RING, EX.
- *57 STAND-OFF

Items 52-57 for 52" and 62" models only

* part of an assembly, not available separately.

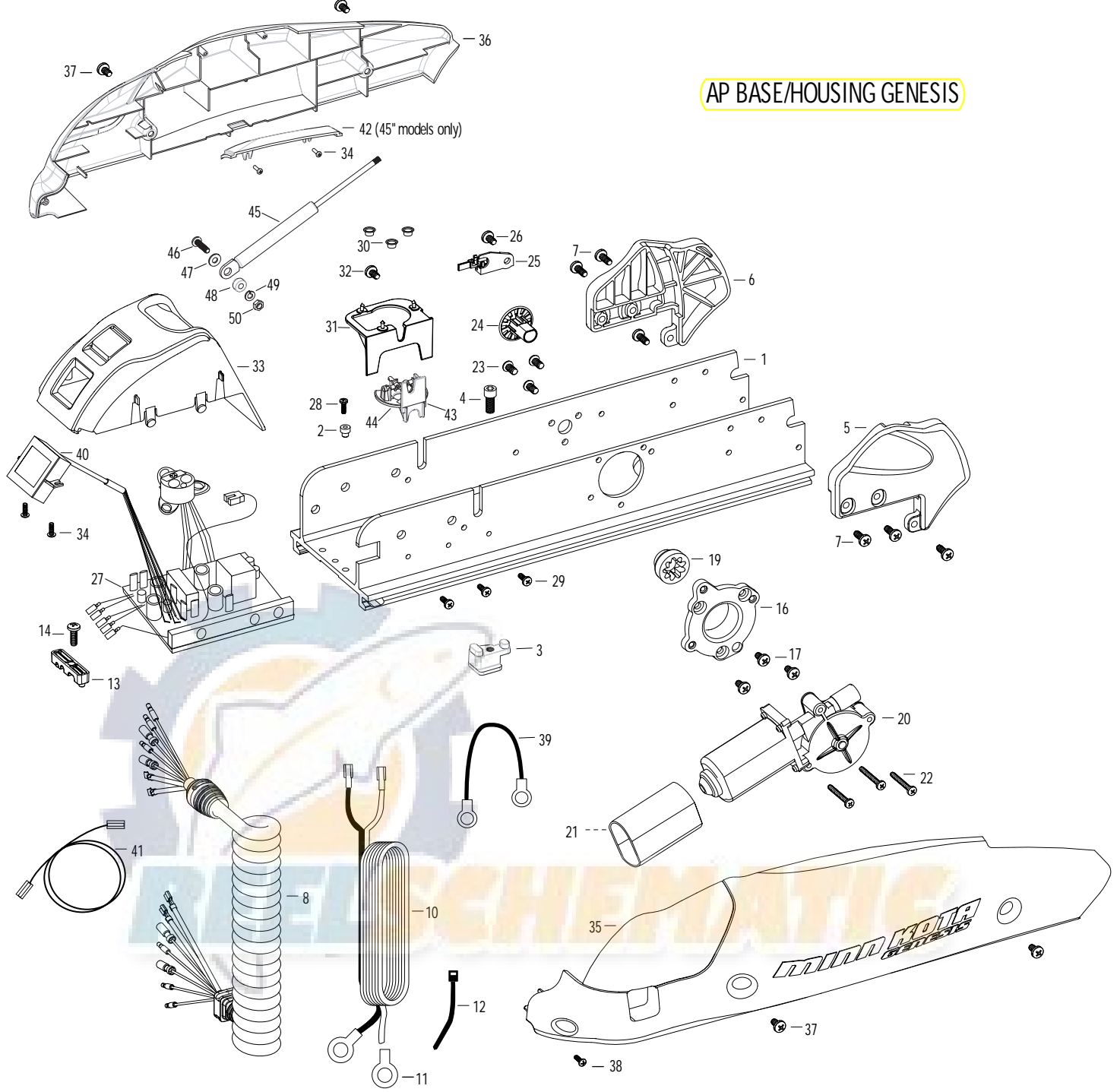
STEERING MODULE



- 1 2222005 TUBE-INNER 49.3 COMPOSITE- 45"
- 2222006 TUBE-INNER 56.8 COMPOSITE- 52"
- 2222007 TUBE-INNER 64.8 COMPOSITE- 60"
- 2 2261621 COLLAR HALF-ALUM-2 PER,1
- 3 2263452 SCREW-1/4-20 X 3/4 SHCS SS [2.EA]
- 4 2221501 COLLAR-LOWER, PLASTIC
- 5 2227324 BUSHING,TUBE, ACETAL, BLK
- 6 2227310 BUSHING-LOWER, NYLON
- 7 2227905 CAM LIFT, TUBE ASSEMBLY
- 8 2222000 TUBE-OUTER 45" PULTRUSION
- 2222001 TUBE-OUTER 52" PULTRUSION
- 2222002 TUBE-OUTER 60" PULTRUSION
- 9 2228420 EXTRUSION-TRANSDUCER, 45"
- 2228421 EXTRUSION-TRANSDUCER, 52"
- 2228422 EXTRUSION-TRANSDUCER, 60"
- 10 2221301 SCREW-#6-19 X.3125 TRI-LOBE [4.EA]
- 11 2223200 BELT CLAMP/TUBE ASSEMBLY
- 13 2222500 CONTROL BOX, LOWER, GENESIS,
- 14 2228400 TENSIONER-BELT (GENESIS)
- 15 2223103 NUT-SQUARE MACH 10-24 ZINC
- 16 2151700 WASHER-EYE SHAFT(.562 OD)
- 17 2331304 SCREW-#10-24 X 1-1/2 PHCR
- 2991891 MOUNTING PLATE/BUSHING ASM
- *19 [PLATE-MOUNTING (CHASSIS)
- *20 [BUSHING-FLANGE 13/16 x
- 21 2221720 WASHER,NYLATRON ID.511 OD1
- 2772244 STEERING CLUTCH ASSEMBLY
- *23 [STEERING CLUTCH
- *24 [CAP,STEERING CLUTCH
- 26 2223435 SCREW-#8-18 X.5 TRI-LOB PPH
- 2777805 12V STEERING MOTOR ASSEMBLY
- 2777806 24V STEERING MOTOR ASSEMBLY
- *27 [HOUSING-TRANSMISSION, MACH
- *28 [BUSHING,TRANSMISSION BRONZE
- *29 [PIN-DOWEL,STBLZR .187 X
- *30 [STEERING MTR/LEADWIRE 12V
- STEERING MTR/LEADWIRE 24V
- 31 2227318 BUSHING, MTR END BRONZE
- 32 2222238 WORM, SS
- 33 2223460 SCREW-SET,4-40 X .125 HEX
- 34 2223456 SCREW, MNT- 5 X8MM PHC [2.EA]
- 35 2222236 GEAR, HELICAL, BRONZE
- 37 2222231 GEAR-MOTOR, ACETAL
- 38 2223427 SCREW-#6-19 X.5 ZP PPH TL [3.EA]
- 39 2224005 FEEDBACK POT/BOARD
- 40 2227326 BUSHING ID 1/4,OD 1/2 X1
- 41 2221301 SCREW-* 6-19 X.3125 TRI-LOBE
- 42 2372100 SCREW-8-18 X 5/8 THD* SS [4.EA]
- 43 2222220 GEAR-IDLER, CLUTCH, DELRIN
- 44 2221720 WASHER,NYLATRON ID.511 OD1.1
- 45 2221713 WASHER-FLAT ZP (PLATE ASM)
- 46 2223465 SCREW-#8-18 X.25 TRI-LOB ZN
- 47 2266000 BEARING BALL-STEEL
- 48 2222224 GEAR-BUSHING, PRIMARY
- 49 2223468 SCREW-#8-32 X 7/16 FLT RD,MA
- 50 2221505 COLLAR-TUBE
- 51 2223466 SCREW-SET #6-32 X .125 CUP
- 52 2222226 GEAR-POT .200" PITCH XL DELRIN
- 53 2220815 BELT-POTENTIOMETER
- 54 2220200 CONTROL BOX COVER, GENESIS
- 55 2227328 BUSHING-COVER, PET W/TEFLON
- 56 2222222 INDICATOR-DIRECTIONAL
- 57 2225620 DECAL-INDICATOR, GENESIS
- 58 2225602 DECAL-COVER, GENESIS 55# AP
- 2225603 DECAL-COVER, GENESIS 74# AP
- 2225600 DECAL-COVER, GENESIS 55
- 2225601 DECAL-COVER, GENESIS 74
- 59 2372100 SCREW-8-18 X 5/8 TRD SS [4.EA]
- 60 2224700 INSERT-PLUG

* part of an assembly, not available separately.

AP BASE/HOUSING GENESIS

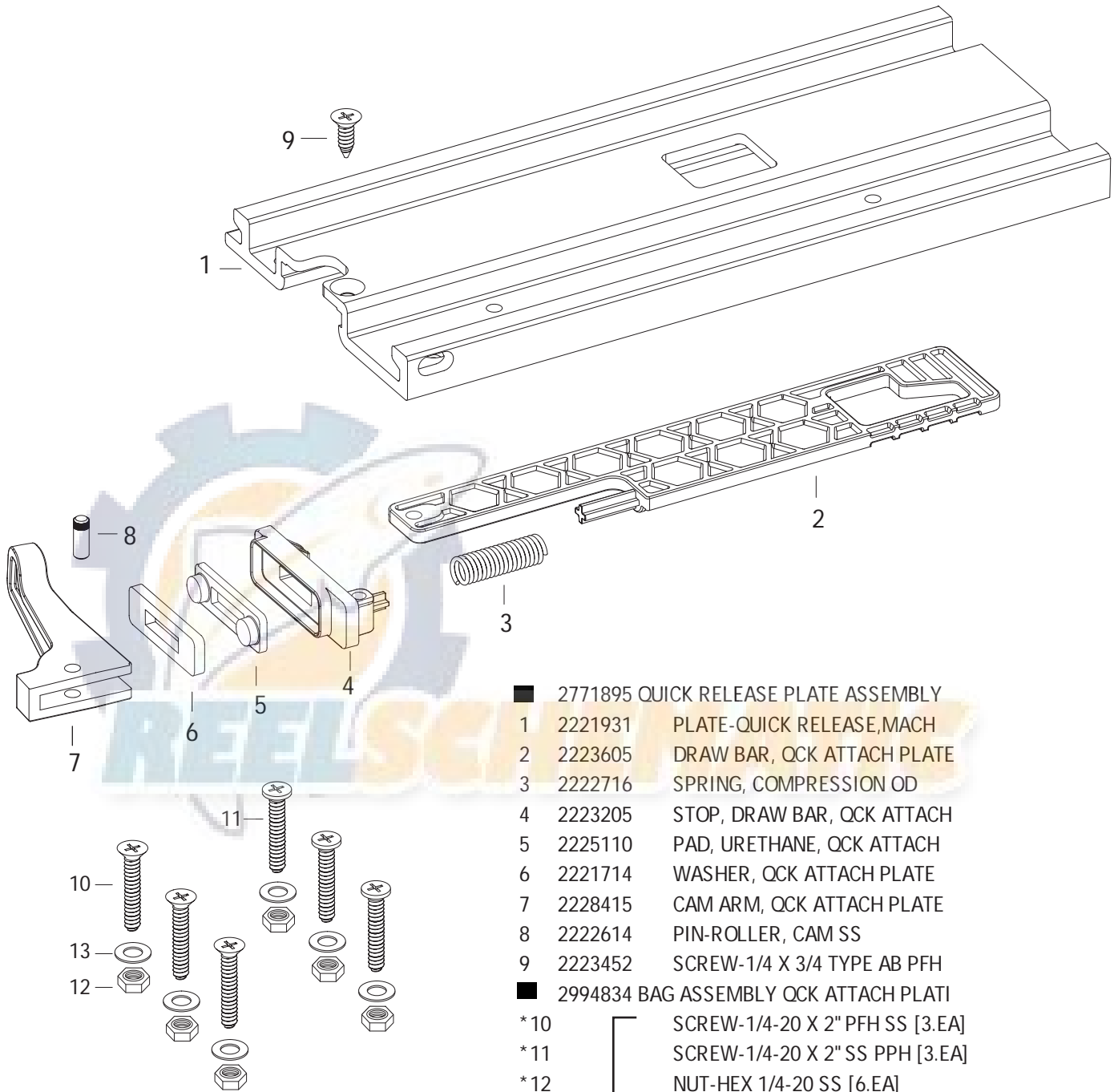


- | | | | | | | | |
|---------|----------------------------|----|---------|--|---------|----------------------------------|--|
| 2771912 | BASE- EXTRUSION ASSEMBLY | 17 | 2223411 | SCREW-1/4-20 X 7/16 EP TRI-LOBE [3.EA] | 36 | 2223907 | SIDEPLATE, LEFT GENESIS |
| *1 | BASE-EXTRUSION, MACHINED | 19 | 2222209 | GEAR-DRIVE, LIFT MOTOR | 37 | 2223411 | SCREW-1/4-20 X 7/16 ZP TRI-LOBE [4.EA] |
| *2 | INSERT-THREADED BRASS .410 | 20 | 2227800 | MOTOR-LIFT, 12V, 35 AMPS | 38 | 2372100 | SCREW-8-18 X 5/8 THD* SS |
| 3 | 2228412 | 21 | 2220210 | SHIELD, LIFTMOTOR A/P, GEN [2.EA] | 39 | 2340610 | CONNECTOR CABLE- 24V ONLY |
| 4 | 2223444 | 22 | 2223404 | SCREW-10-24 X 1.5 TR-LB ZP [3.EA] | 40 | 2224015 | LCD |
| 5 | 2223910 | 23 | 2223418 | SCREW-1/4-20 X 1/2 SS BHCS [3.EA] | 41 | 2211405 | EXTENSION CABLE (Universal sonar only) |
| | 2223930 | 24 | 2224065 | WHEEL -ENCODER | 42 | 2223908 | SIDEPLATE PLUG |
| 6 | 2223915 | 25 | 2221935 | BRACKET-ENCODER ACETAL BLACK | 2881937 | COMP.BRACKET/MAGNET ROD ASSEMBLY | |
| | 2223935 | 26 | 2223411 | SCREW-1/4-20 X 7/16 ZP TRI-LOBE | *43 | BRACKET | |
| 7 | 2303430 | 27 | 2224014 | CTRL BRD/COMPASS ASSEMBLY 12V AP | *44 | MAGNET | |
| 8 | 2771220 | 28 | 2224016 | CTRL BRD/COMPASS ASSEMBLY 24V AP | 45 | 2228430 | CYLINDER, DAMPENR |
| | 2771221 | 29 | 2332100 | SCREW-8-32 X 3/8 MACHINE | 2882920 | DAMPENR HARDWARE | |
| | 2771222 | 30 | 2223454 | SCREW-#10-32 X 1/2" SS MACH [3.EA] | *46 | SCREW 1/4-20 X 1.0 | |
| 10 | 2090601 | 31 | 2302960 | GROMMET-COMPASS [3.EA] | *47 | WASHER 1/4 SAE FLAT | |
| 11 | 2020700 | 32 | 2221920 | BRACKET-MOUNTING, COMPASS | *48 | STAND-OFF, SHORT | |
| 12 | 2026300 | 33 | 2223410 | SCREW-1/4-20 X 7/16 SS TR-LOBE | *49 | LOCKWASHER 1/4 ZINC | |
| 13 | 2222905 | 34 | 2226500 | HOUSING-CENTER, DISPLAY, BLA | *50 | NUT 1/4-20 HEX ZINC | |
| 14 | 2223438 | 35 | 2302100 | SCREW-6-20 X 1/2 THD CUTS [4.EA] | | | |
| 16 | 2221910 | | 2223900 | SIDEPLATE, RIGHT GENESIS | | | |

Items 45-50 for 52" and 62" models only

* part of an assembly, not available separately.

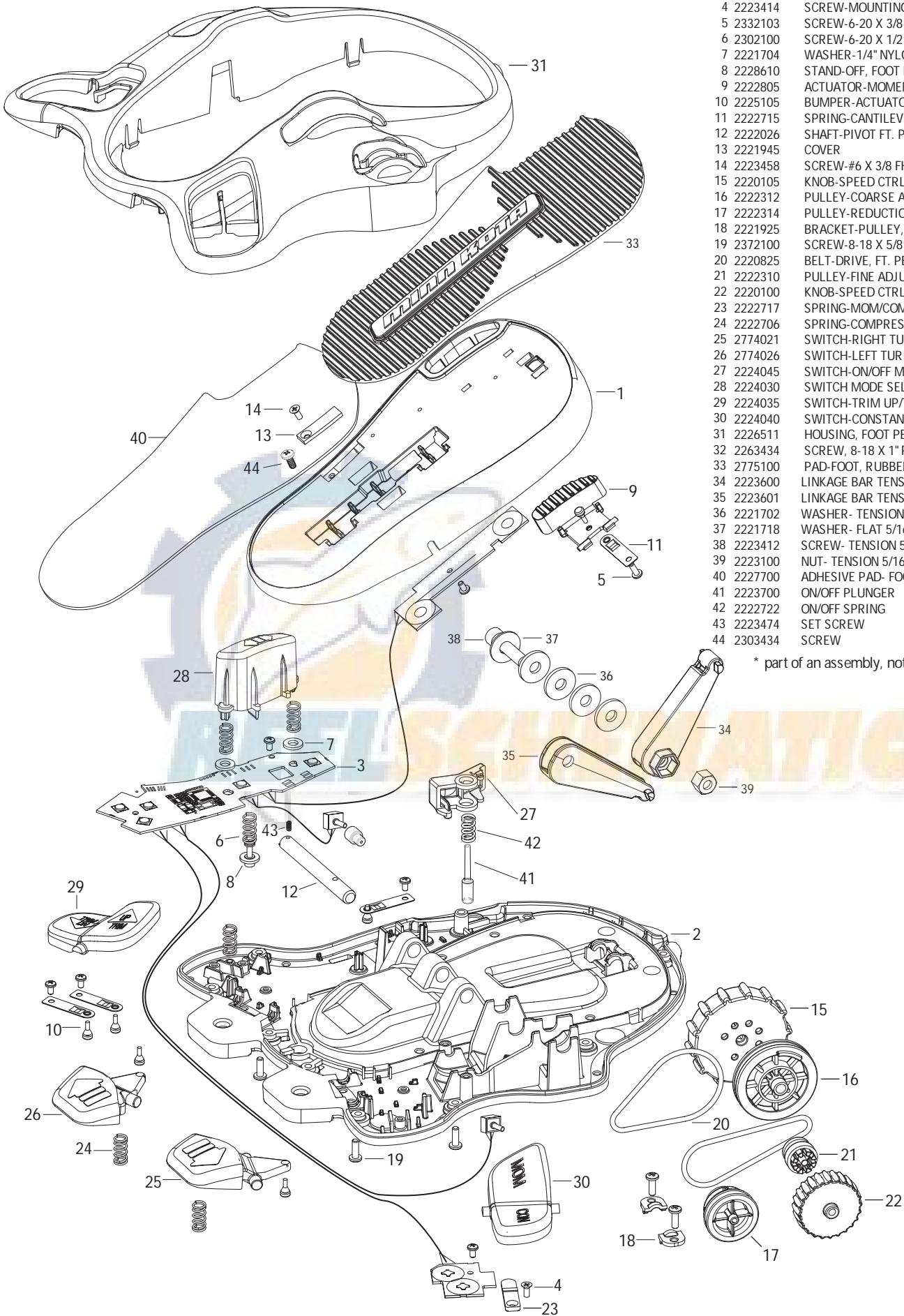
QUICK RELEASE PLATE ASSEMBLY



- 2771895 QUICK RELEASE PLATE ASSEMBLY
- 1 2221931 PLATE-QUICK RELEASE, MACH
- 2 2223605 DRAW BAR, QCK ATTACH PLATE
- 3 2222716 SPRING, COMPRESSION OD
- 4 2223205 STOP, DRAW BAR, QCK ATTACH
- 5 2225110 PAD, URETHANE, QCK ATTACH
- 6 2221714 WASHER, QCK ATTACH PLATE
- 7 2228415 CAM ARM, QCK ATTACH PLATE
- 8 2222614 PIN-ROLLER, CAM SS
- 9 2223452 SCREW-1/4 X 3/4 TYPE AB PFH
- 2994834 BAG ASSEMBLY QCK ATTACH PLATI
- * 10 [SCREW-1/4-20 X 2" PFH SS [3.EA]
- * 11 [SCREW-1/4-20 X 2" SS PPH [3.EA]
- * 12 [NUT-HEX 1/4-20 SS [6.EA]
- * 13 [WASHER-1/4 FLAT SS [6.EA]

* part of an assembly, not available separately.

FOOT PEDAL - GENESIS



- 2772040 FOOT PEDAL GENESIS ASSEMBLY
- 1 2774401 FOOT PEDAL / PAD / ADHESIVE ASSEMBLY
- 2 2224501 FOOT PEDAL BASE
- *3 CIRCUIT BOARD ASSEMBLY NOT AVAILABLE SEPARATELY- ORDER 2772040
- 4 2223414 SCREW-MOUNTING #6 X 1/4 PH [6.EA]
- 5 2332103 SCREW-6-20 X 3/8 THD SS
- 6 2302100 SCREW-6-20 X 1/2 THD CUT
- 7 2221704 WASHER-1/4" NYLON, FT. PED [3.EA]
- 8 2228610 STAND-OFF, FOOT PEDAL
- 9 2222805 ACTUATOR-MOMENTARY FT. PED.
- 10 2225105 BUMPER-ACTUATOR, RUBBER [6.EA]
- 11 2222715 SPRING-CANTILEVER, FT. PED. [5.EA]
- 12 2222026 SHAFT-PIVOT FT. PEDAL
- 13 2221945 COVER
- 14 2223458 SCREW-#6 X 3/8 FHCR SLF TAP [2.EA]
- 15 2220105 KNOB-SPEED CTRL, COARSE ADJ
- 16 2222312 PULLEY-COARSE ADJUST, FT. PED
- 17 2222314 PULLEY-REDUCTION, FT. PED.
- 18 2221925 BRACKET-PULLEY, FOOT PEDAL [2.EA]
- 19 2372100 SCREW-8-18 X 5/8 TED SS [10.EA]
- 20 2220825 BELT-DRIVE, FT. PEDAL [2.EA]
- 21 2222310 PULLEY-FINE ADJUST, FT. PED.
- 22 2220100 KNOB-SPEED CTRL, FINE ADJUST
- 23 2222717 SPRING-MOM/COM, FT. PED.
- 24 2222706 SPRING-COMPRESSION FT. PED [6.EA]
- 25 2774021 SWITCH-RIGHT TURN W/ RUBBER ACTUATOR
- 26 2774026 SWITCH-LEFT TURN W/ RUBBER ACTUATOR
- 27 2224045 SWITCH-ON/OFF MASTER FT. PDL
- 28 2224030 SWITCH MODE SELECT, STOW, DEP
- 29 2224035 SWITCH-TRIM UP/TRIM DWN FT
- 30 2224040 SWITCH-CONSTANT/MOMENTARY
- 31 2226511 HOUSING, FOOT PEDAL
- 32 2263434 SCREW, 8-18 X 1" PPH SS [NOT SHOWN]
- 33 2775100 PAD-FOOT, RUBBER W/ ADHESIVE PAD
- 34 2223600 LINKAGE BAR TENSION ADJUST
- 35 2223601 LINKAGE BAR TENSION ADJUST
- 36 2221702 WASHER- TENSION RUBBER [4.EA]
- 37 2221718 WASHER- FLAT 5/16X7/8 SS
- 38 2223412 SCREW- TENSION 5/16-18 SS
- 39 2223100 NUT- TENSION 5/16-18 SS
- 40 2227700 ADHESIVE PAD- FOOT PEDAL
- 41 2223700 ON/OFF PLUNGER
- 42 2222722 ON/OFF SPRING
- 43 2223474 SET SCREW
- 44 2303434 SCREW

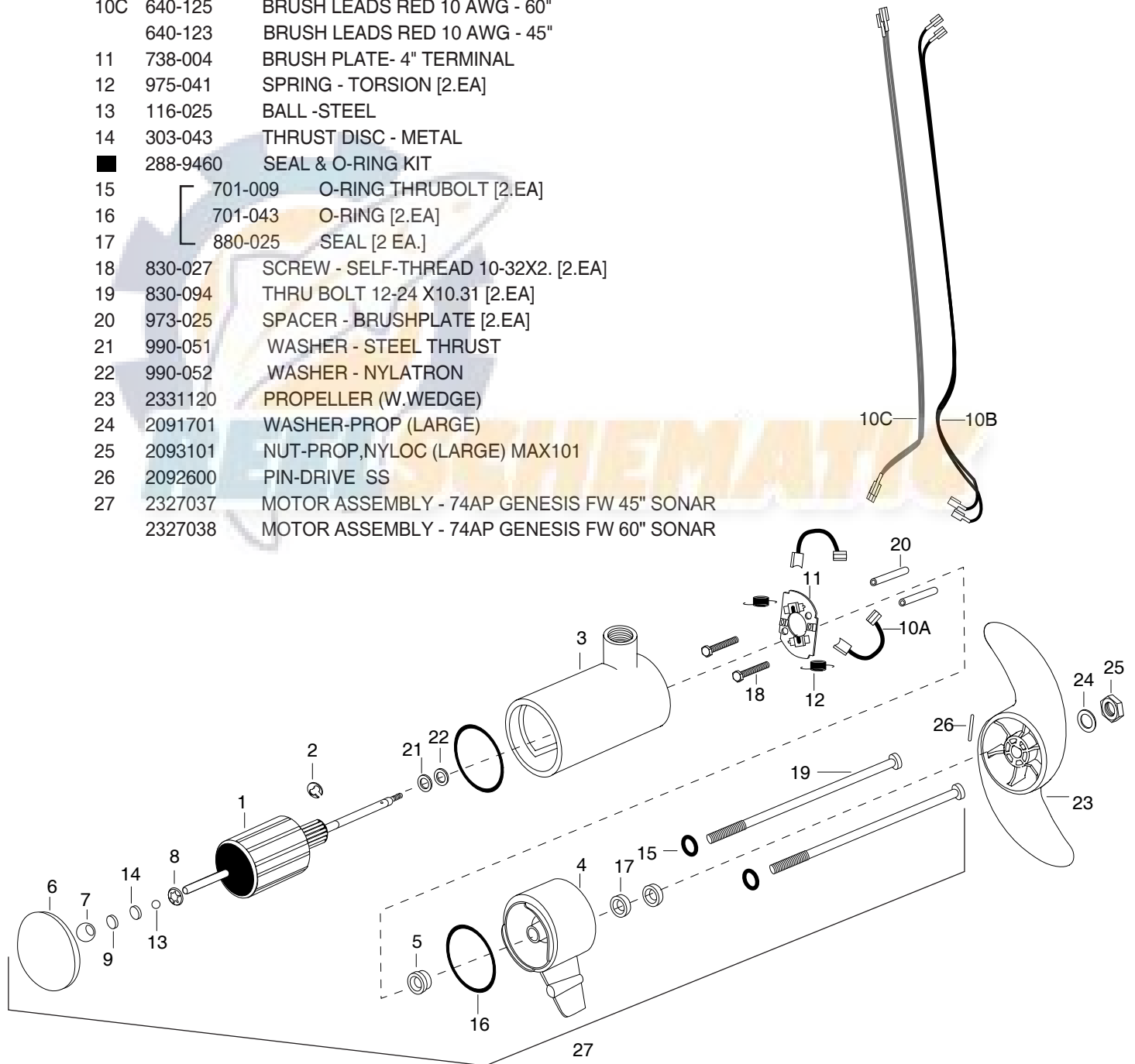
* part of an assembly, not available separately.

GENESIS 74 MOTOR ASSEMBLY

- 1 2-100-103 ARM ASSY 24V 4"
- 2 788-040 RETAINING RING
- 3 92-200-170 HOUSING ASSEMBLY CTR 4.0TXT SONAR

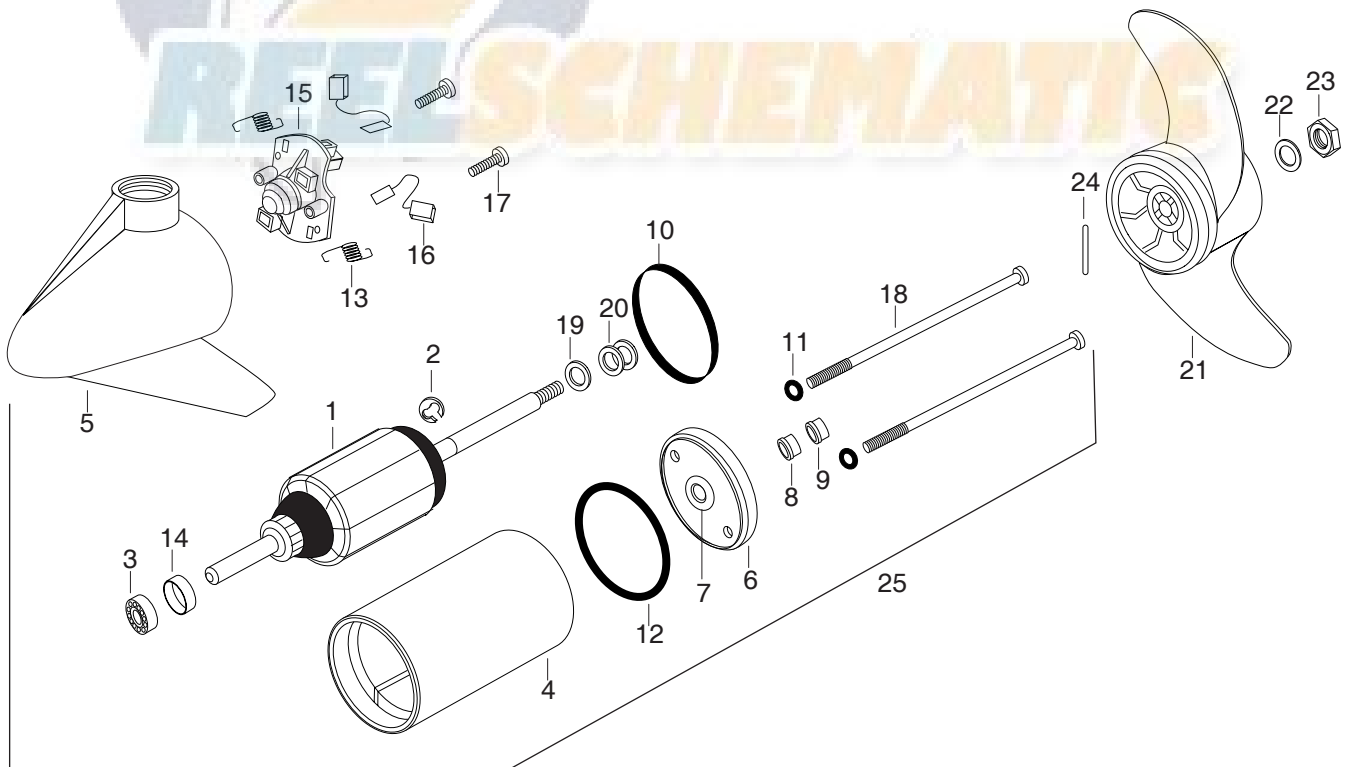
- 4 92-300-160 BRUSH END HOUSING ASSEMBLY
- 5 144-017 BEARING - FLANGE
- 6 92-400-170 PLAIN END HOUSING ASSEMBLY 45" SONAR
- 92-400-171 PLAIN END HOUSING ASSEMBLY 60" SONAR

- 7 144-021 BEARING - SPHERICAL
- 8 784-025 BEARING RETAINER
- 9 991-040 WASHER - FELT
- 10A 188-094 BRUSH W/TERMINAL [2.EA]
- 10B 640-020 BRUSH LEADS BLACK 10 AWG -60"
- 640-018 BRUSH LEADS BLACK 10 AWG-45"
- 10C 640-125 BRUSH LEADS RED 10 AWG - 60"
- 640-123 BRUSH LEADS RED 10 AWG - 45"
- 11 738-004 BRUSH PLATE- 4" TERMINAL
- 12 975-041 SPRING - TORSION [2.EA]
- 13 116-025 BALL -STEEL
- 14 303-043 THRUST DISC - METAL
- 288-9460 SEAL & O-RING KIT
- 15 701-009 O-RING THRU BOLT [2.EA]
- 16 701-043 O-RING [2.EA]
- 17 880-025 SEAL [2 EA.]
- 18 830-027 SCREW - SELF-THREAD 10-32X2. [2.EA]
- 19 830-094 THRU BOLT 12-24 X10.31 [2.EA]
- 20 973-025 SPACER - BRUSHPLATE [2.EA]
- 21 990-051 WASHER - STEEL THRUST
- 22 990-052 WASHER - NYLATRON
- 23 2331120 PROPELLER (W.WEDGE)
- 24 2091701 WASHER-PROP (LARGE)
- 25 2093101 NUT-PROP,NYLOC (LARGE) MAX101
- 26 2092600 PIN-DRIVE SS
- 27 2327037 MOTOR ASSEMBLY - 74AP GENESIS FW 45" SONAR
- 2327038 MOTOR ASSEMBLY - 74AP GENESIS FW 60" SONAR

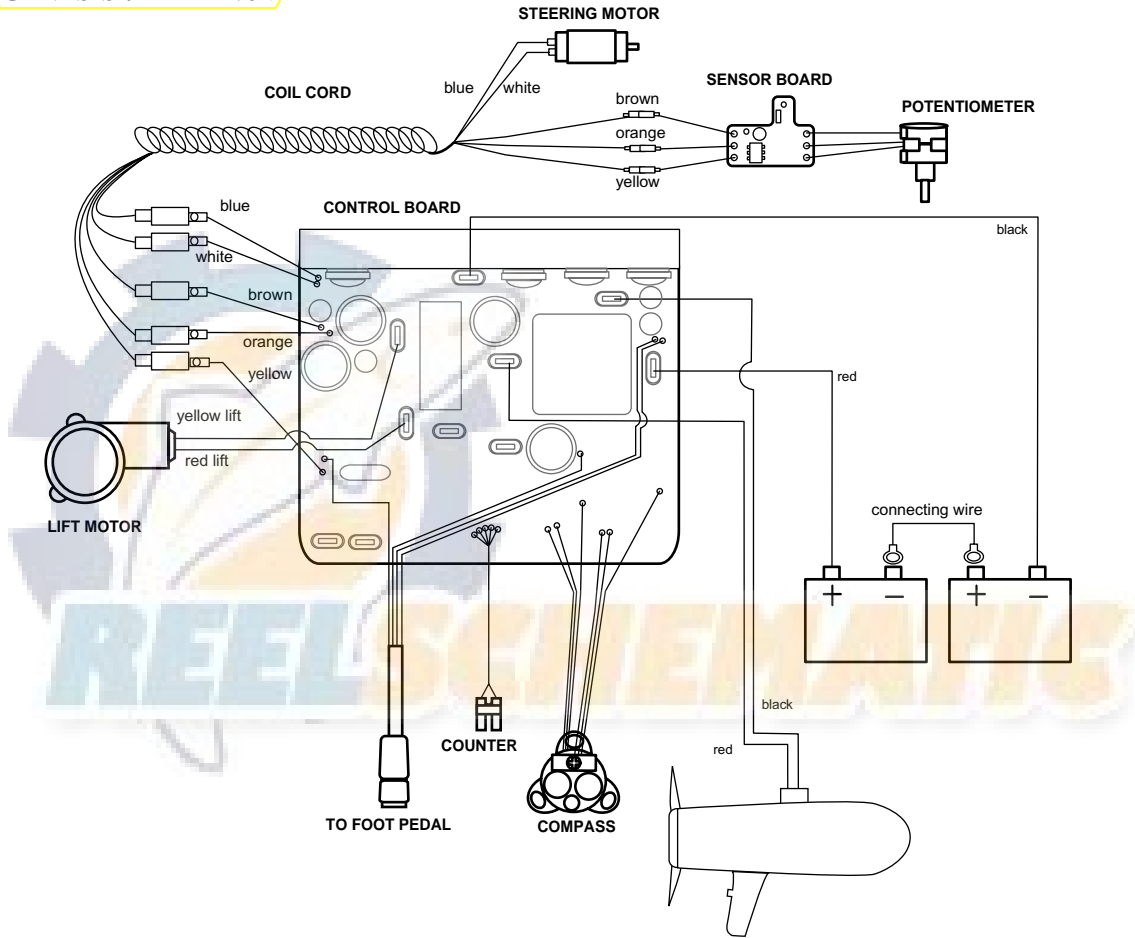


GENESIS 55 MOTOR ASSEMBLY

1	92-100-013	ARMATURE ASSEMBLY
2	788-015	RETAINING RING
3	140-010	BEARING - BALL
4	431-101	HOUSING ASSEMBLY CTR 3.62 TXT
5	9421-165	HOUSING BRUSH END 3.62 TXT 45" SONAR
	9421-166	HOUSING BRUSH END 3.62 TXT 52" SONAR
6	2-400-101	PLAIN END HOUSING ASSEMBLY 3.625
7	144-049	BEARING - FLANGE
■	288-8460	SEAL & O-RING KIT (includes items 8-10)
8	880-003	SEAL
9	880-006	SEAL WITH SHIELD
10	337-036	GASKET
11	701-008	O-RING (2 EA.)
12	701-081	O-RING
13	188-036	BRUSH ASSEMBLY [2.EA]
14	725-050	PAPER TUBE - BRUSH RETENTION
15	738-036	BRUSH PLATE WITH HOLDER
16	975-040	SPRING - TORSION [2.EA]
17	830-007	#8-32 SCREW [2.EA]
18	830-042	THRU BOLT 10-32 X 8.83 [2.EA]
19	990-067	WASHER - STEEL THRUST
20	990-070	WASHER - NYLATRON [2.EA]
21	2091150	PROPELLER W/WEDGE
22	2151726	WASHER 5/16 STD SS
23	2053130	NUT-PROP NYLOC 5/16 SS
24	2092600	PIN-DRIVE SS
25	2109090	MOTOR ASSEMBLY - 55AP GENESIS FW 45" SONAR
	2109091	MOTOR ASSEMBLY - 55AP GENESIS FW 52" SONAR



GENESIS 74AP 24 volt



GENESIS 55AP 12 volt

